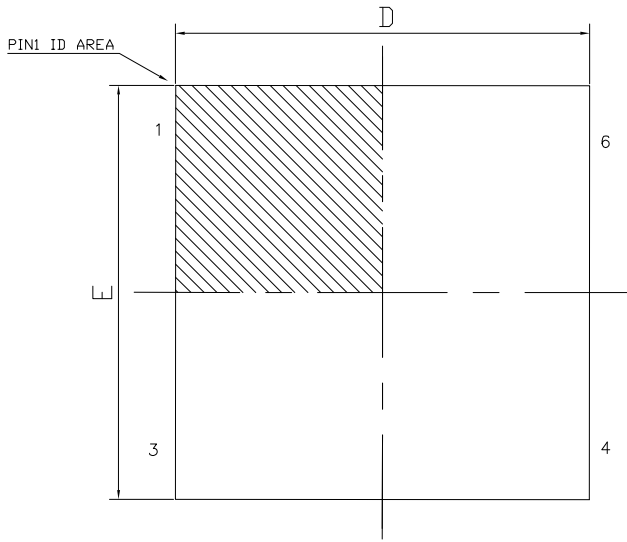
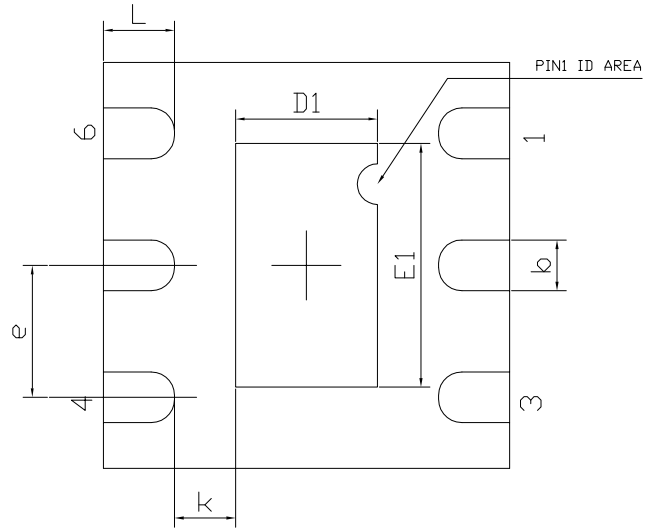


Revision History

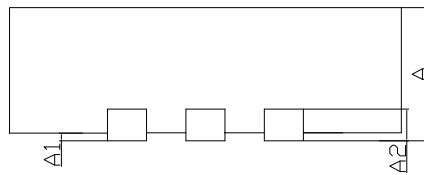
| REV. | Description | Date | APP'D |
|------|--|-------------|----------------------|
| A | DRAWING ORIGATION | Aug/12/2016 | ECN 1635-21 08/26/16 |
| A.1 | CORRECT TYPO (Dimensioins -> Dimensions) | Jan/23/2018 | ECN 1804-07 jh |
| B | CHANGE FORMAT TO MAXLINEAR AND ADD STENCIL DWG | Jan/30/2018 | ECN 1808-10 jh |



TOP VIEW



BOTTOM VIEW




SIDE VIEW

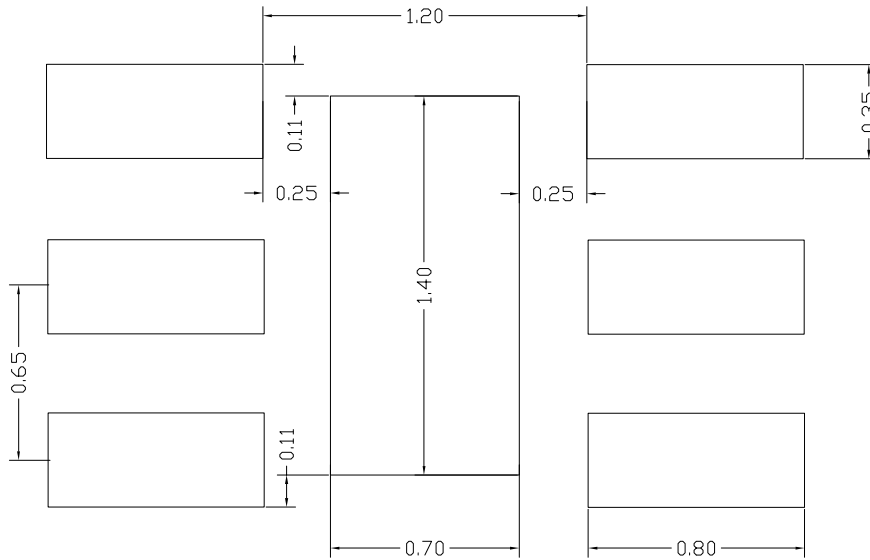
| DIM SYMBOL | MIN | NOM | MAX |
|------------|-----------|-------|-------|
| A | 0.700 | 0.750 | 0.800 |
| A1 | 0.000 | — | 0.050 |
| A2 | 0.203Ref | | |
| b | 0.200 | 0.250 | 0.300 |
| D | 2.00 BSC | | |
| E | 2.00 BSC | | |
| e | 0.650 BSC | | |
| D1 | 0.600 | 0.700 | 0.800 |
| E1 | 1.100 | 1.200 | 1.300 |
| L | 0.274 | 0.350 | 0.426 |
| K | 0.200 | — | — |
| N | 6 | | |

TERMINAL DETAILS

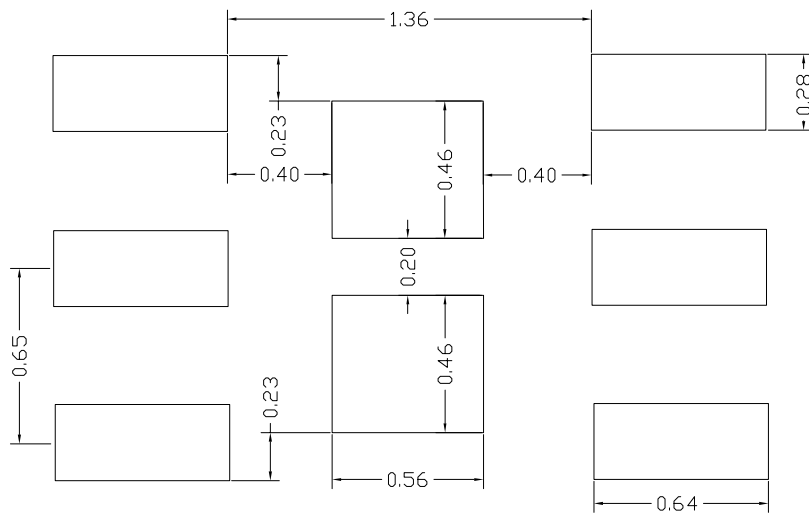
- ALL DIMENSIONS ARE IN MILLIMETERS, ANGLES ARE IN DEGREES.
- DIMENSIONS AND TOLERANCE PER JEDEC MO-229.

| | | |
|---|--|--------------|
|  | MAXLINEAR CORPORATION | |
| | 6LD 2X2X0.8mm TDFN Package Outline Drawing | |
| Packaging Approval: | Drawing No.: POD-00000072 | Sheet 1 OF 2 |
| By: YG Eom Date: JAN.30.2018 | Revision: B | |


| Revision History | | | |
|------------------|--|-------------|----------------------|
| REV. | Description | Date | APP'D |
| A | DRAWING ORIGATION | Aug/12/2016 | ECN 1635-21 08/26/16 |
| A.1 | CORRECT TYPO (Dimensioins -> Dimensions) | Jan/23/2018 | ECN 1804-07 jh |
| B | CHANGE FORMAT TO MAXLINEAR AND ADD STENCIL DWG | Jan/30/2018 | ECN 1808-10 jh |



TYPICAL RECOMMENDED LAND PATTERN



TYPICAL RECOMMENDED STENCIL

| | | | |
|---|-------------------|--|--------------|
|  | | MAXLINEAR CORPORATION | |
| | | 6LD 2X2X0.8mm TDFN Package Outline Drawing | |
| Packaging Approval: | | Drawing No.: POD-00000072 | Sheet 2 OF 2 |
| By: YG Eom | Date: JAN.30.2018 | Revision: B | |